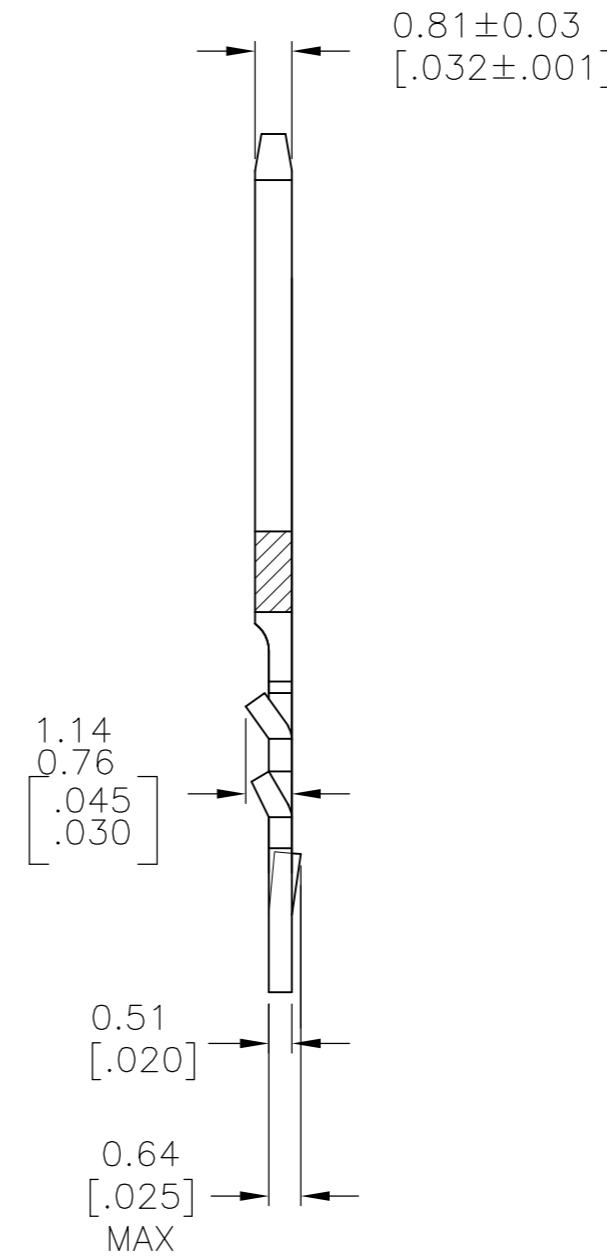
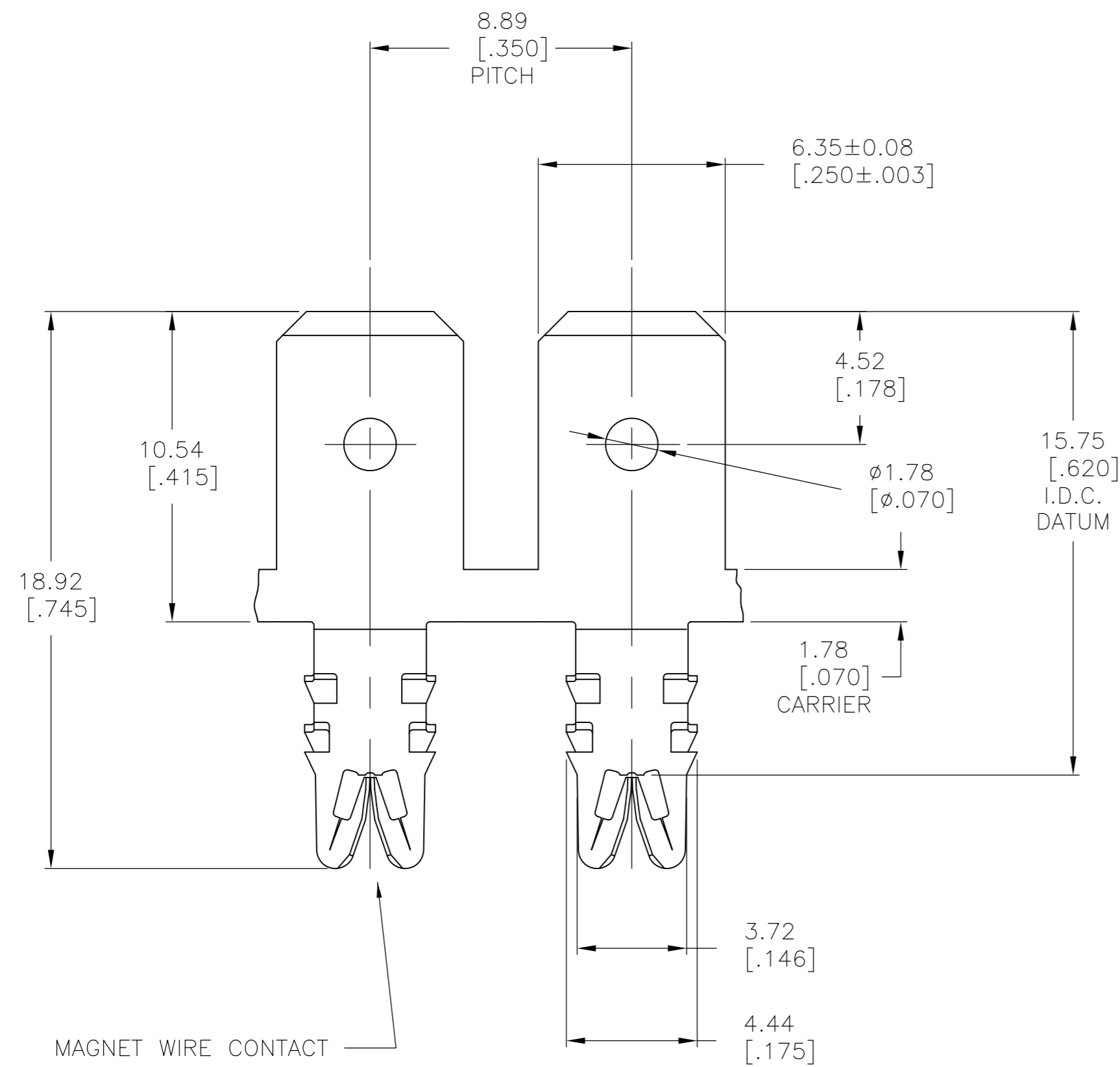
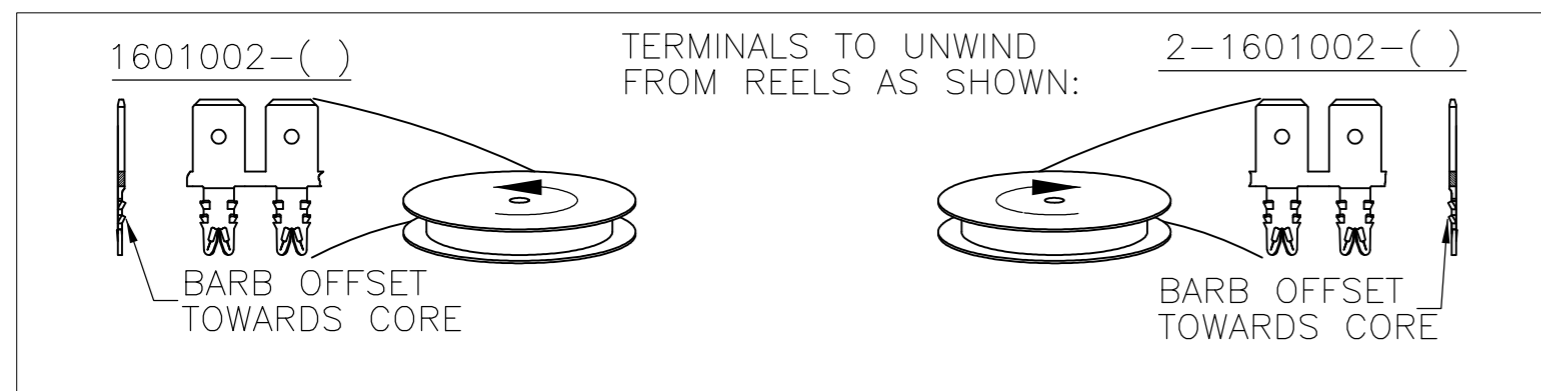
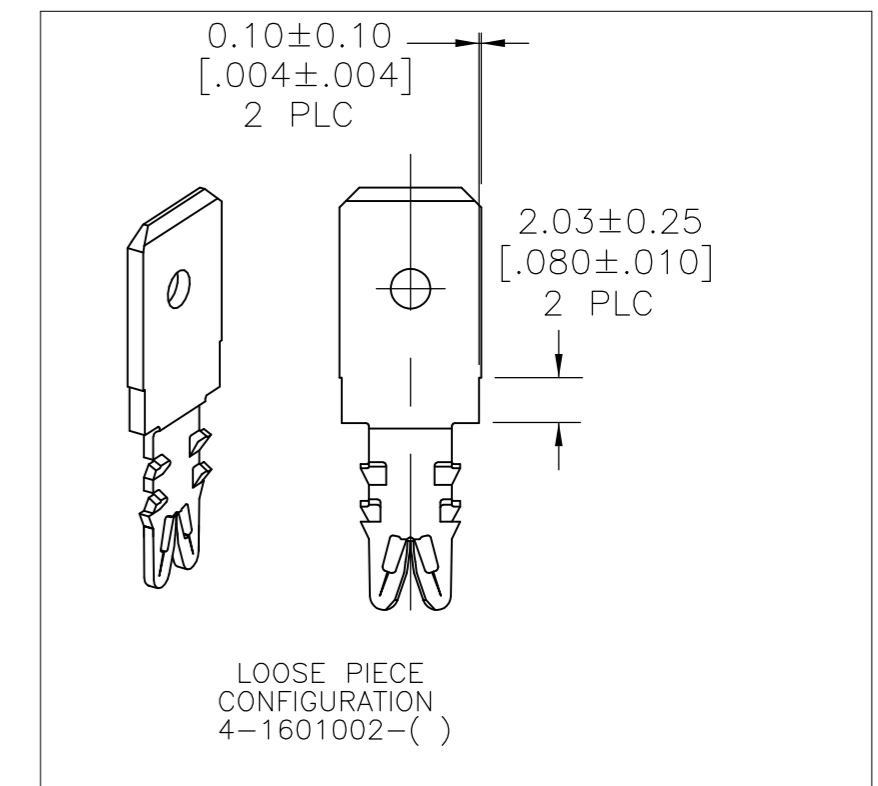


THIS DRAWING IS UNPUBLISHED. RELEASED FOR PUBLICATION  
 © COPYRIGHT BY TYCO ELECTRONICS CORPORATION. ALL RIGHTS RESERVED.

| LOC |     | DIST        |                           | REVISIONS |         |      |    |
|-----|-----|-------------|---------------------------|-----------|---------|------|----|
| P   | LTR | DESCRIPTION |                           | DATE      | DWN     | APVD |    |
| AF  | 50  | D2          | REVISED PER ECR-08-000810 |           | 22JAN08 | HMR  | GJ |



- SPECIFICATIONS:  
MAGNET WIRE #18 - #34 AWG COPPER,  
1.02mm (.040") - 0.16mm (.006") DIA.  
OTHER SIZES MAY BE ACCOMMODATED,  
CONSULT TYCO ELECTRONICS FOR APPROVAL.
- POCKET RECOMMENDATION: 1601425.  
ALTERNATE POCKET: 1601421.
- TERMINAL APPLICATION TO COMPLY WITH TYCO  
ELECTRONICS SPECIFICATION 114-13166 FIGURE 6.



|  |                       |                           |
|--|-----------------------|---------------------------|
| -  | -                     | -                         |
| -  | -                     | -                         |
| -  | -                     | -                         |
| PRE TIN PLATE  | 031-004-002           | 4-1601002-2               |
| PRE TIN PLATE  | 131-004-002           | 2-1601002-2               |
| PRE TIN PLATE  | 131-055-002           | 1601002-2                 |
| FINISH   | REFERENCE PART NUMBER | PART NUMBER               |
| THIS DRAWING IS A CONTROLLED DOCUMENT.                         |                       | DWN J.WELLER 11JAN2002    |
| DIMENSIONS: mm [INCHES]  |                       | CHK M.FEHER 11JAN2002     |
| TOLERANCES UNLESS OTHERWISE SPECIFIED:                         |                       | APVD K.RANDOLPH 11JAN2002 |
| 0 PLC ± -  | 1 PLC ± 0.25 [.01]    | PRODUCT SPEC              |
| 2 PLC ± 0.13 [.005]  | 3 PLC ± -             | 108-2085                  |
| 4 PLC ± -  | ANGLES ± 2°           | APPLICATION SPEC          |
| MATERIAL BRASS, 1/2 HARD                                       | FINISH SEE TABLE      | WEIGHT -                  |
| CUSTOMER DRAWING   |                       | SCALE 6:1                 |
| Tyco Electronics Corporation Harrisburg, PA 17105-3608         |                       | SIZE A2                   |
| STD. RANGE WIRE TO .250 X .032 MULTI-BARB TAB SIAMEZE TERMINAL |                       | CAGE CODE 00779           |
| DRAWING NO C=1601002   |                       | DRAWING NO                |
| RESTRICTED TO  |                       | SHEET 1 OF 1              |
| REV D2   |                       | REV                       |